



# Electrocardiograph KMN 12

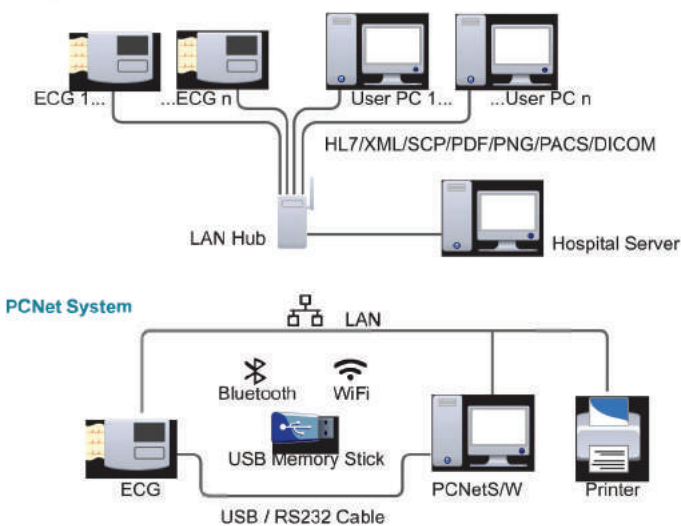
- Perekaman dan Penampilan 12/6/3-ch
- ECG measurement and interpretation for pediatrics / adults
- Layar Sentuh Warna LCD 7"
- Pengambilan data ECG berakurasi tinggi: 24 bits ADC (1.25  $\mu$ V/bit)
- Standard Format HIS: DICOM, HL7 aECG (XML), SCP, PDF and PNG

## OPTION:

- Konektivitas PACS Server I PCNet
- Transfer Data: USB, Ethernet LAN, Bluetooth, WiFi
- Transfer sinyal ECG secara langsung ke PC via LAN/WiFi
- Koneksi ke perangkat eksternal Printer, Barcode, atau Card Reader
- Data memory : Internal (4,000 records), opsional SD atau USB memory
- Memenuhi safety requirement terbaru.

## OPTION:

- USB/RS232
- LAN
- SD Card
- Bluetooth
- Printer External
- WiFi



- Mampu Merekam hingga 1 D min.
- ORS, Arrhythmias and Pacemaker detection
- Kertas roll 216 / 210 mm
- Alphanumeric PC keypad Membrane dan Sentuh
- Update software mudah dengan USB memory stick
- Deteksi Alarm: HR, Kertas Kosong, lead off, low battery



Diproduksi oleh :

**PT. Karya Medis Nusantara**

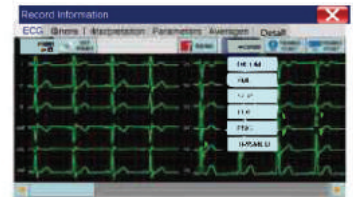
Daan Mogot Arcadia, Jl. Daan Mogot KM 21 Blok F1 No. 6, Kelurahan Batuaceper, Kecamatan Batuaceper, Kota Tangerang, Banten.

Telp : (021) 59587711

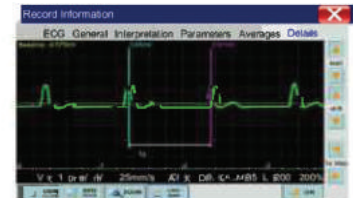
Email : karyamedisnusantara@gmail.com

Recording Leads	12 standard leads : I, II, III, aVR, aVL, aVF, V1, V2, V3, V4, V5, V6			
Recording Channel	12-ch x 1, 6-ch x 2, 6-ch x 2+1R, 3-ch x 4, 3-ch x 4+1R, 3-ch x 4+3R (R: Rhythm)			
Recording Lead Group	Standard / Cabrera / Nehb / User defined group			
Recording Mode	Auto, Manual, Rhythm, Periodic, Auto Start, Elapsed, Calibration(1mV), Copy, TPH test			
Full Disclosure Report	Min. 10 sec ~ Max. 10 min. by user set / Manual mode			
Recording Length	Min. 3 sec ~ Max. 85 sec. by user select ( Auto mode only )			
Recording system	Thermal printer head ( 8 dots/mm) / 203 (vertical) x 508 (horizontal) dpi			
Recording Thermal Paper	Roll type			
	Standard	Fax paper		
	216(or 210)mm x 30m	Grid record		
Sensitivity (mm/mV)	1.25, 2.5, 5, 10, 20, 40, Auto			
Recording Speed (mm/sec)	Auto record		Manual record	
	5,6.25,10,12.5,25,50,100		5,6.25,10,12.5,25,50,100	
Display	Color TFT 7"LCD (Viewing area: 154.08mm x 85.92mm), Dots: 800 X 480			
Display Channel (Ch)	12 (6-ch x 2), 6 (3-ch x 2), 3 (3-ch x 1), 4 (2-ch x 2), 2 (2-ch x 1), 1 (1-ch x 1)			
QRS Beat Display & Sound	30 ~ 240 bpm on real time			
Alarm Display and Sound	Lead-off detection for individual 10 lead, Battery level, Paper empty, HR.			
Key Operation	Alphanumeric PC key by membrane and LCD touch screen			
Calibration Signal	Sensitivity and frequency response test by using internal 1 mV			
Language	English / Spanish / French / Russian / Turkish / Mongolian / others by user request			
ECG Data Acquisition Input	Simultaneous 12-lead ECG			
Impedance	Greater than 100 MΩ per 10 Hz			
A/D Resolution	16bits (0.17 μV/bit) Option: 24 bits (1.25 V/bit)			
A/D Sampling Rate	8,000 samples / second / channels			
CMRR	Greater than 110 dB			
Frequency Response	0.05 200 Hz ( -3dB unfiltered )			
Time Constant	Greater than 3.2 sec.			
Digital Filter	Drift filter	Muscle Filter	AC filter	High frequency filter
	0.05/0.15/0.25/ 0.32/0.5/0.67Hz	25/35/40/45Hz	50 / 60 Hz	75 / 100 / 150 / 200 Hz
Pace Maker Detection	Option (Amplitude ±2 mV, Duration > 0.1 ms)			
Arrhythmia Detection Data Management	Auto extend recording time to 20 ~ 60 sec by Ventricular Tachycardia and Bradycardia			
	Save / Delete/ Copy / Review / Transfer / Measure			
Data Transfer I/F to HIS	2 USB memory stick / USB port / Ethernet LAN			
Data Save Memory (10 sec)	Internal memory: Standard 4,000 records / Optional SD card (12,000 records per 1GB) / Optional external USB memory stick (12,000 records per 1GB)			
HIS Data Format	HL7 / XML / SCP / PDF / PNG / DICOM + PACS + Modality Worklist			
Patient Leakage Current	Less than 10μA			
Electrical Safety	Class I (Degree of protection against electrical shock) Defibrillation proof (5000VDC) based on type CF applied part			
Operation Power	AC	100 ~ 240VAC ±10 % ~50/60 Hz free voltage		
	Battery	Built-in rechargeable battery. NiMH19.2V (2200mA) / 420 reports (150 min) per 12-ch x 1 (5 sec) auto record by fully charged battery		
Dimension (mm)	333 (L) x 310 (W) x 105 (H) (Approx)			
Weight	3.3 Kg with battery (Approx)			
Temperature	Operating : +10 ~ +40 °C / Transport or Storage : -20 ~ +60 °C			
Relative Humidity	Operating : 30~75 % (non-condensing) / Transport or Storage: 10~90 % (non-condensing)			
Atmosphere	Operating : 70kPa ~ 106kPa / Transport or Storage: 50kPa ~ 106kPa			

### HIS Interface



### On Screen Measurements



### Pengisian Kertas Mudah dan Anti Macet

